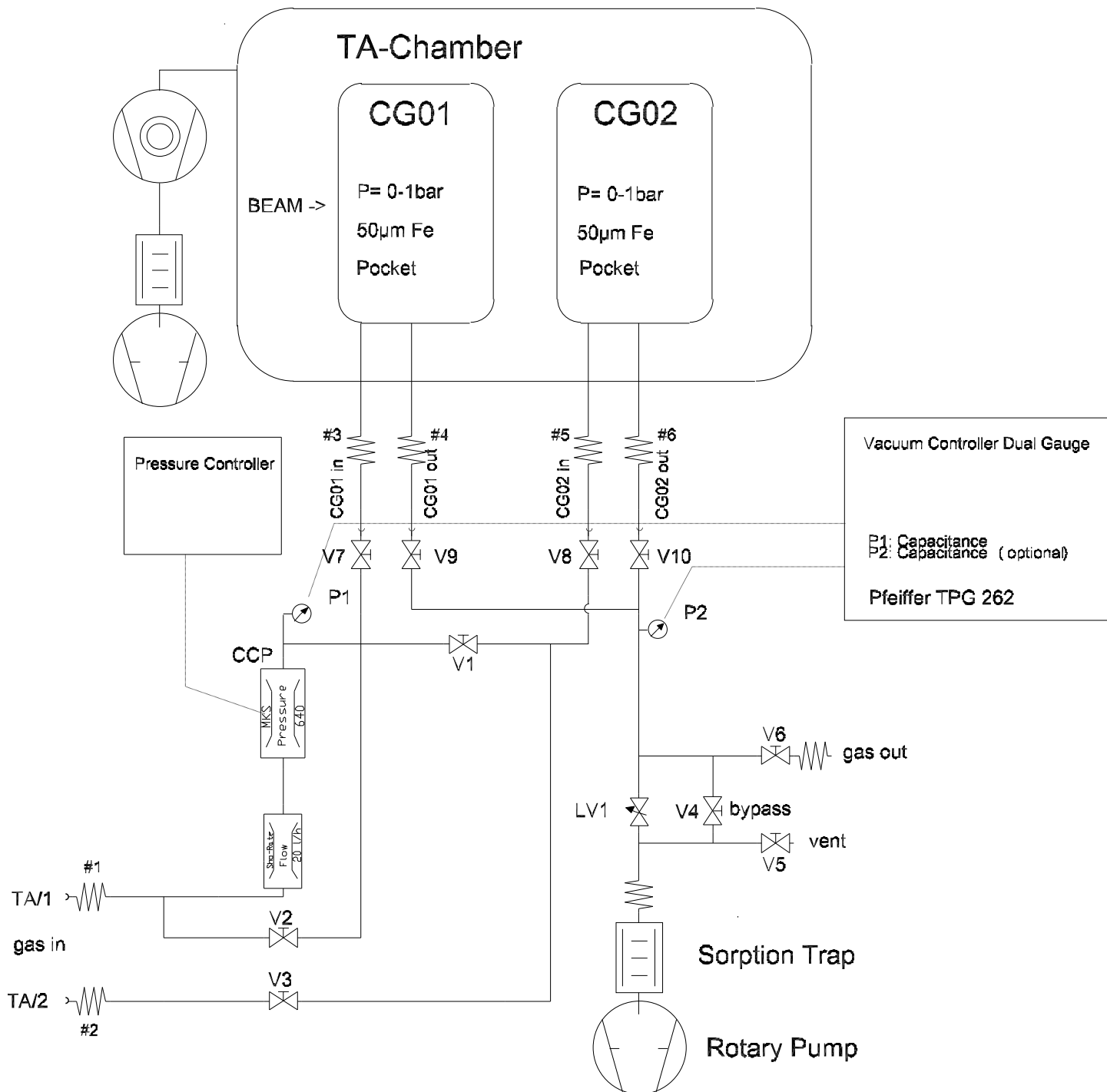


Gassupply for CG at FRS/S0



LV1 : manual needle Valve

Pressure Range 0-1330 [mbar]

Gasflow ~ 0.5 - 20 Liters/h

K. Burkard 07.06.03